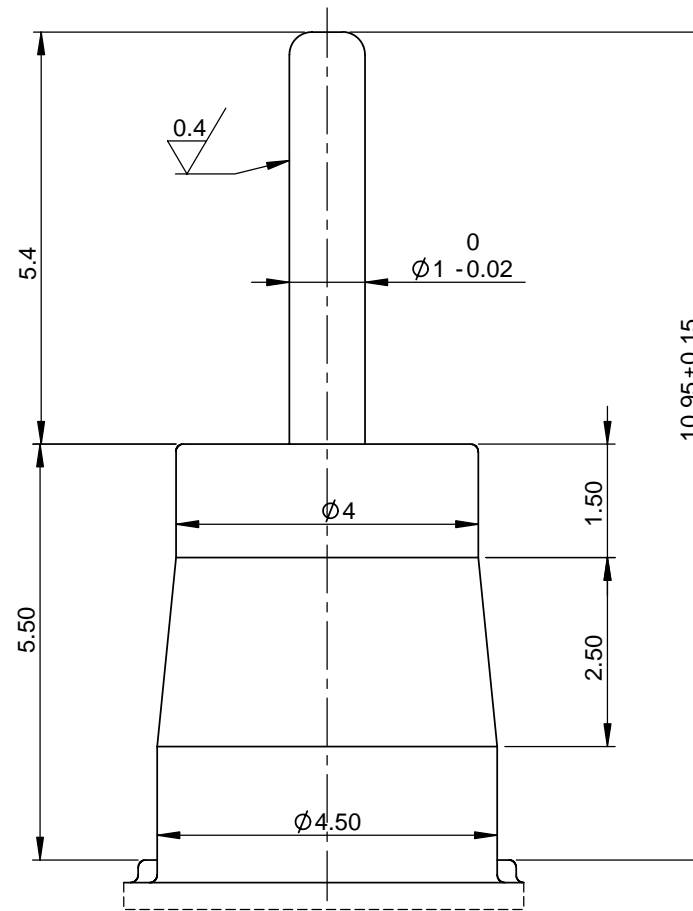
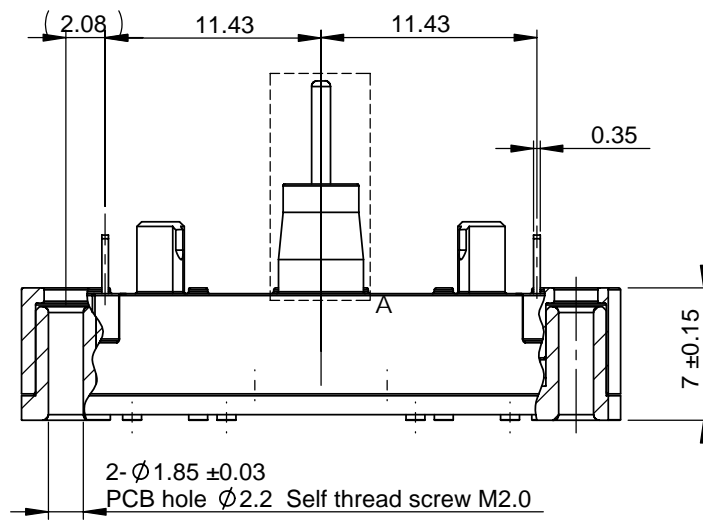
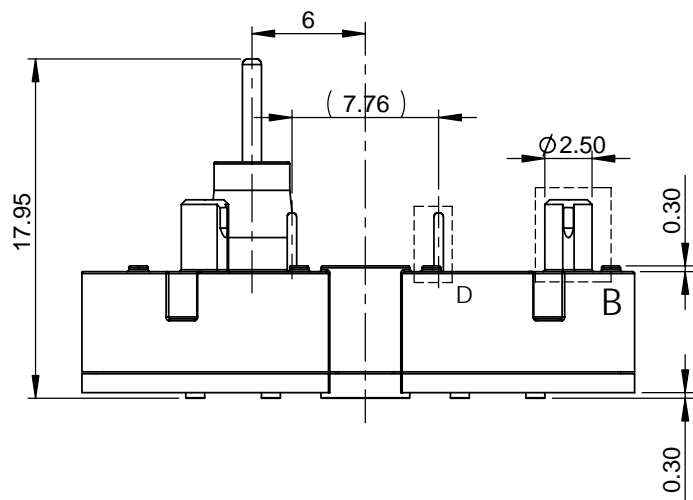
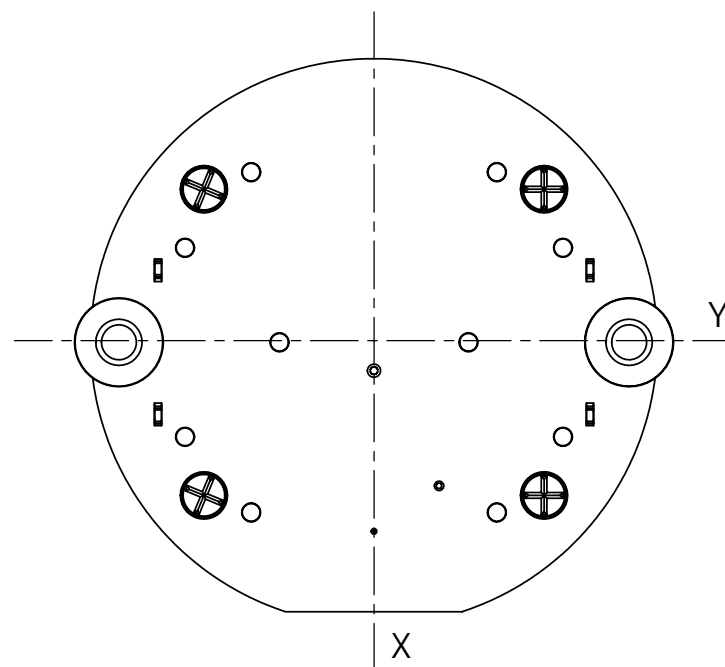
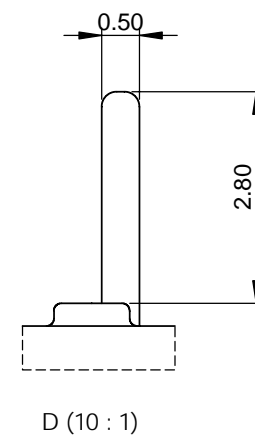


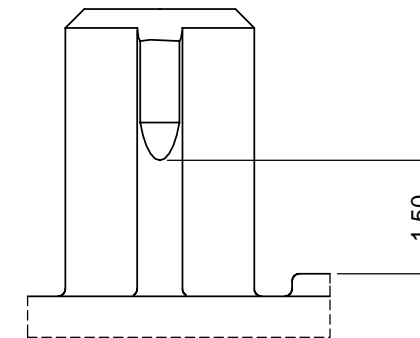
C (10 : 1)



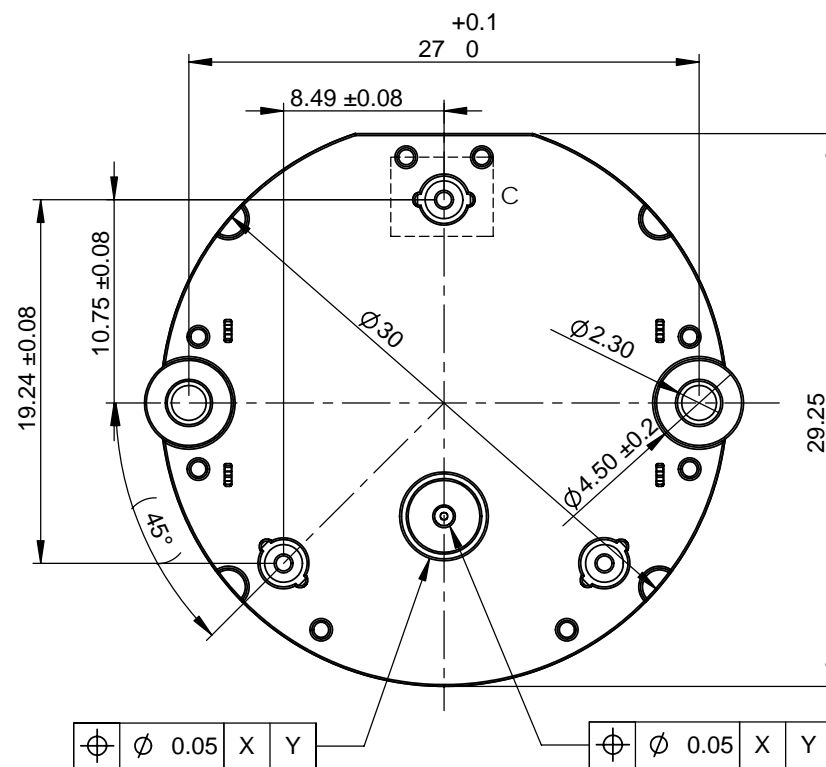
A (10 : 1)



D (10 : 1)

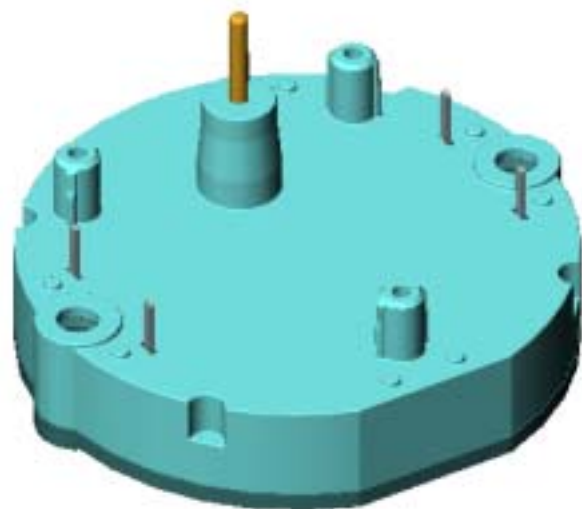


B (10 : 1)



⊕ Ø 0.05 X Y

⊕ Ø 0.05 X Y



SPECIFICATIONS :

Housing:

- Material:PC Crastin
- Colour:Black
- Hold force clips:max. 85N

Shaft:

- Material: Stainless Steel
- Axialforce(stake-on):max. 150N
- Axial pull force:max. 100N
- Radial force:max. 20N
- Rotation Angle: Max 315°

El. contacts:

- Material:CuSn3Zn
- Plating:Sn-Pb 90/10 1~2µm
- Coil :el.resistance 280± 20Ω

Product Name: Vehicles Instrumentation Device		Dimension in mm	
Description:		sheet	1/1
Production No. VID29_06 / VID29_06P		size	A3
Created	10.10.05	scale	2.5:1
Check	10.15.05	WellGain	
Release	10.18.05		